

## ACVT40R

EV CHARGING POINT MODULAR BOX 3P+N 40A RU+POP+SPD



|                            |               |
|----------------------------|---------------|
| <b>Code</b>                | 030ACVT40R    |
| <b>EAN</b>                 | 8430892352765 |
| <b>Product description</b> |               |

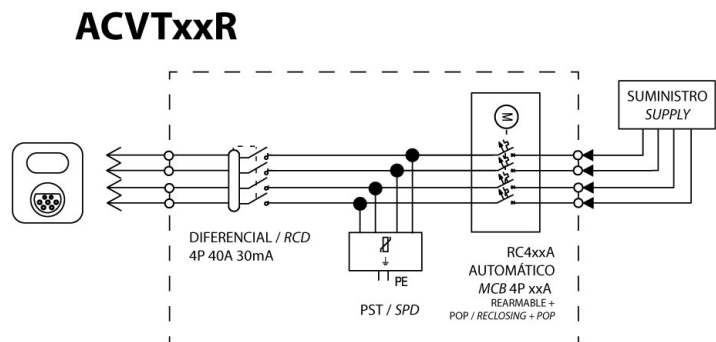
---

## Combiner box technical data

|                                  |                  |
|----------------------------------|------------------|
| MCB - Circuit breaker            | 40 A             |
| Curve                            | C                |
| Breaking capacity EN 60898-1     | 6 kA             |
| RCCB type                        | A                |
| Combiner type                    | AC               |
| Inverter AC output               | 3P+N             |
| Voltage                          | 415 V AC         |
| Surge protector                  | Class II         |
| Diferential type                 | 30mA             |
| Incoming current rating          | 40 A             |
| Surge protector code             | PSTC40           |
| Surge protector type             | II               |
| Nominal discharge current (In)   | 20 kA            |
| Maximum discharge current (Imax) | 40 kA            |
| Protection level at In (Up)      | 2 kV             |
| Ingress protection IP            | IP65 - IEC 60529 |
| Impact protection IK             | IK08 - IEC 62262 |
| Standards                        | IEC EN 6143-1/2  |

## Diagrams

Electrical diagram



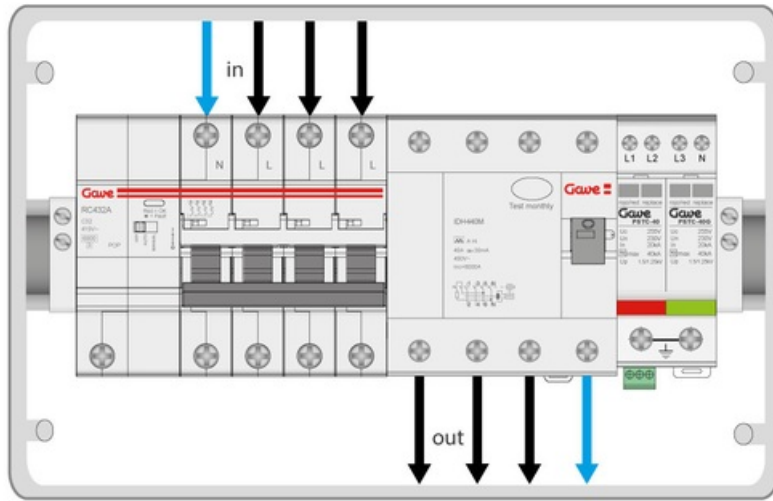
## Dimensions

|                |        |
|----------------|--------|
| Product height | 246 mm |
| Product width  | 310 mm |
| Product length | 148 mm |

## Logistic data

|              |          |
|--------------|----------|
| Customs code | 85371098 |
|--------------|----------|

**Connection**



**Dimensions**

