

ACVM40C

EV CHARGING POINT MODULAR BOX 1P+N 40A POP+SPD



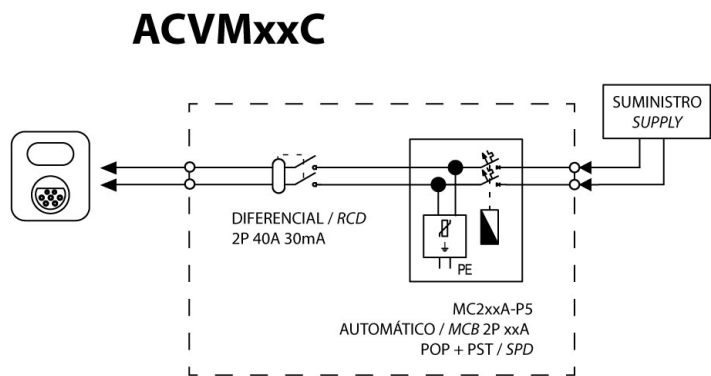
Code	030ACVM40C
EAN	8430892352703
Product description	

Combiner box technical data

MCB - Circuit breaker	40 A
Curve	C
Breaking capacity EN 60898-1	6 kA
RCCB type	A
Combiner type	AC
Inverter AC output	1P+N
Voltage	230 V AC
Surge protector	Class II
Diferential type	30mA
Incoming current rating	40 A
Surge protector code	-P5
Surge protector type	II
Nominal discharge current (In)	15 kA
Maximum discharge current (Imax)	15 kA
Protection level at In (Up)	1.5 kV
Ingress protection IP	IP65 - IEC 60529
Impact protection IK	IK08 - IEC 62262
Standards	IEC EN 6143-1/2

Diagrams

Electrical diagram



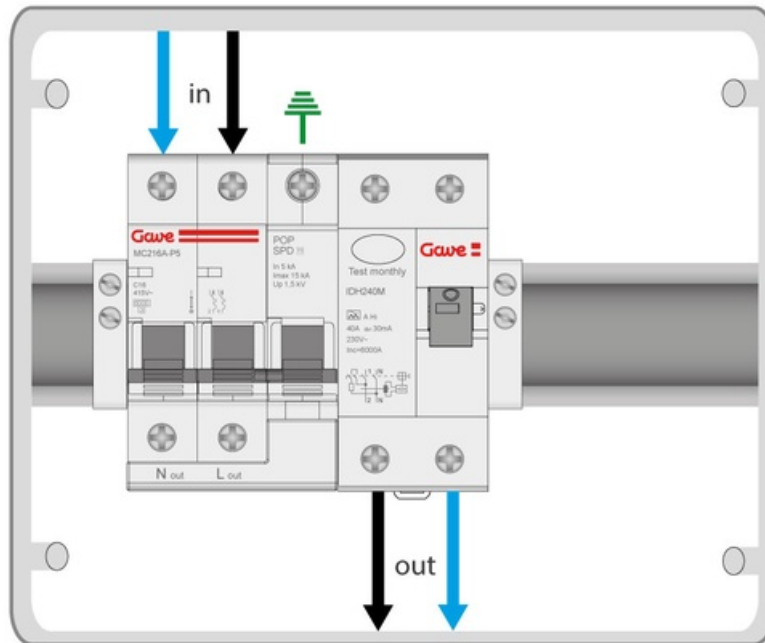
Dimensions

Product height	231 mm
Product width	238 mm
Product length	118 mm

Logistic data

Customs code	85371098
--------------	----------

Connection



Dimensions

