

ACVM32R

EV CHARGING POINT MODULAR BOX 1P+N 32A RU+POP+SPD



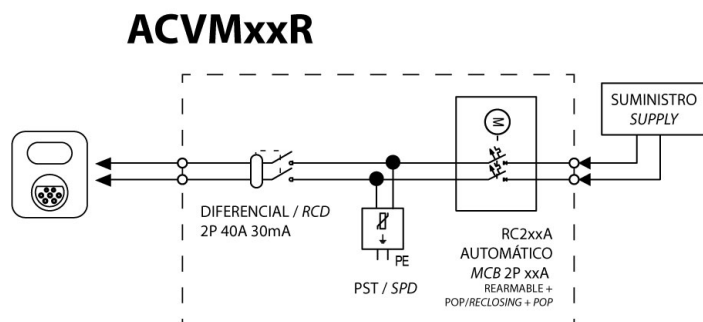
| | |
|----------------------------|---------------|
| Code | 030ACVM32R |
| EAN | 8430892352666 |
| Product description | |

Combiner box technical data

| | |
|----------------------------------|------------------|
| MCB - Circuit breaker | 32 A |
| Curve | C |
| Breaking capacity EN 60898-1 | 6 kA |
| RCCB type | A |
| Combiner type | AC |
| Inverter AC output | 1P+N |
| Voltage | 230 V AC |
| Surge protector | Class II |
| Diferential type | 30mA |
| Incoming current rating | 32 A |
| Surge protector code | PSTC40 |
| Surge protector type | II |
| Nominal discharge current (In) | 20 kA |
| Maximum discharge current (Imax) | 15 kA |
| Protection level at In (Up) | 1.5 kV |
| Ingress protection IP | IP65 - IEC 60529 |
| Impact protection IK | IK08 - IEC 62262 |
| Standards | IEC EN 61439-1/2 |

Diagrams

Electrical diagram



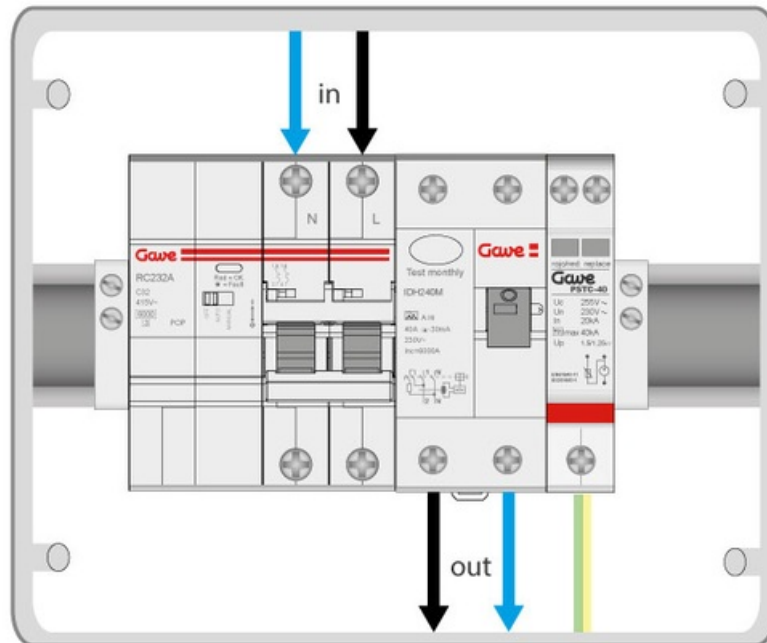
Dimensions

| | |
|----------------|--------|
| Product height | 231 mm |
| Product width | 238 mm |
| Product length | 118 mm |

Logistic data

| | |
|--------------|----------|
| Customs code | 85371098 |
|--------------|----------|

Connection



Dimensions

