

## ACVM32C

EV CHARGING POINT MODULAR BOX 1P+N 32A POP+SPD



<b>Code</b>	030ACVM32C
<b>EAN</b>	8430892352628
<b>Product description</b>	

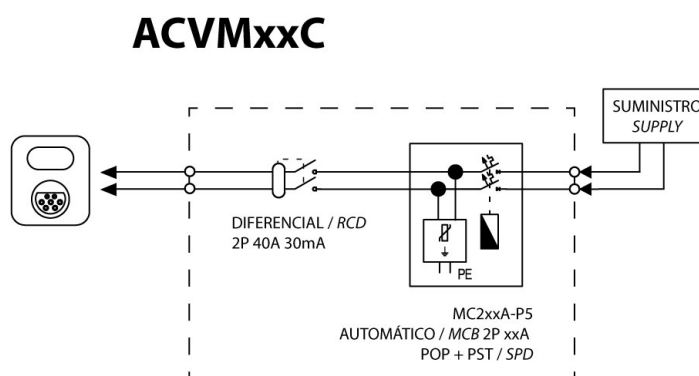
---

## Combiner box technical data

MCB - Circuit breaker	32 A
Curve	C
Breaking capacity EN 60898-1	6 kA
RCCB type	A
Combiner type	AC
Inverter AC output	Mono
Voltage	230 V AC
Surge protector	Class II
Diferential type	30mA
Surge protector type	II
Nominal discharge current (In)	15 kA
Ingress protection IP	IP65 - IEC 60529
Impact protection IK	IK08 - IEC 62262
Standards	IEC EN 6143-1/2

## Diagrams

Electrical diagram



## Dimensions

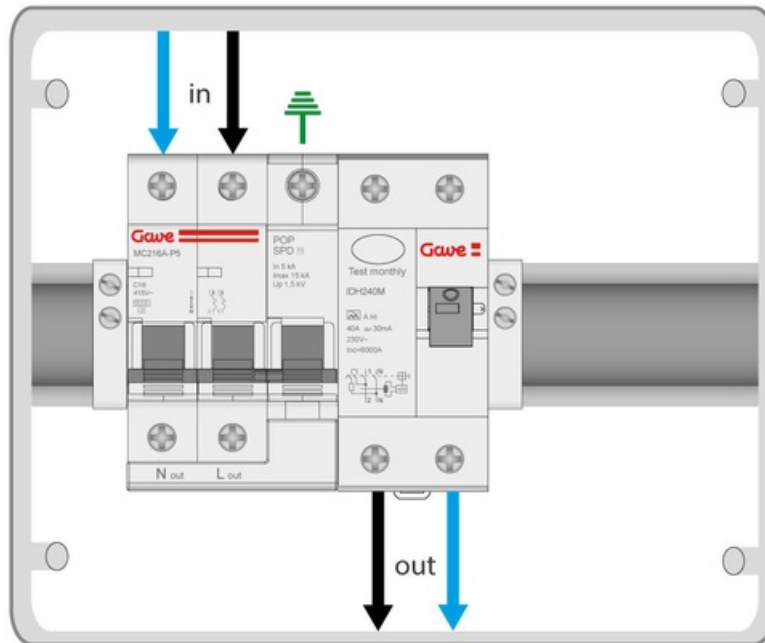
Product height	231 mm
Product width	238 mm
Product length	118 mm

## Logistic data

Customs code	85371098
--------------	----------

## Connection

---



## Dimensions

---

