

PST31PV

PV SURGE PROTECTOR DEVICE TYPE II 1000VDC IMAX 40KA



Code

002PST31PV

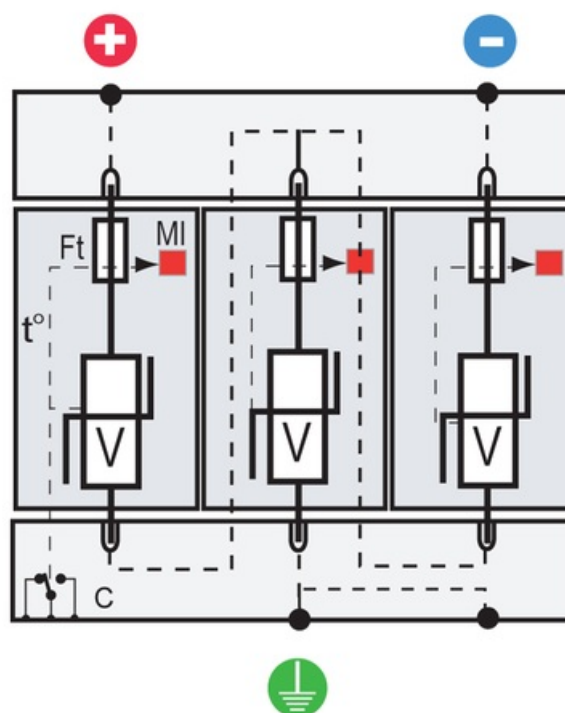
EAN

8430892201179

Combiner box technical data

Surge protector type	II
Max. continuous operating voltage (Ucpv)	1060 V DC
Nominal discharge current (In)	20 kA
Maximum discharge current (Imax)	40 kA
Protection level at In (Up)	3.6 kV
Standards	IEC 61643-31 / EN 50539-11

Connection



Dimensions

