

## PST31APV

SURGE PROTECTOR DEVICE PV 1200V TYPE I+II



Code

002PST31APV

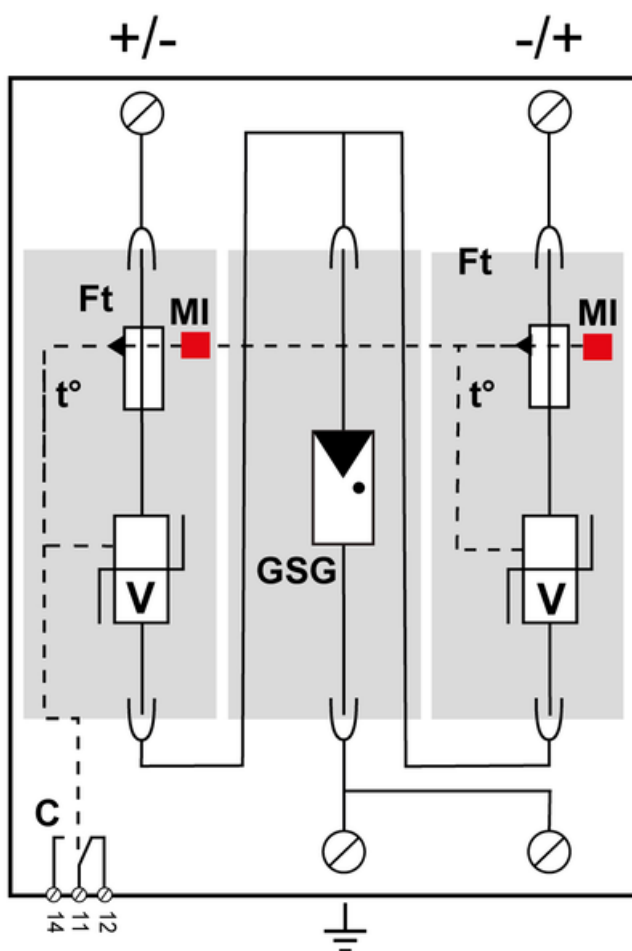
EAN

8430892334532

### Combiner box technical data

Surge protector type	I + II
Max. continuous operating voltage (Ucpv)	1200 VDC
Maximum impulse current (Iimp)	6.25 kA
Nominal discharge current (In)	15 kA
Maximum discharge current (Imax)	40 kA
Protection level at In (Up)	2.6/4.6 kV
Standards	IEC 61643-31

### Connection



## Dimensions

---

