

## PST25PVT

PV SURGE PROTECTOR DEVICE TYPE II 500VDC I<sub>MAX</sub> 40KA + REMOTE SIGNALLING



Code

002PST25PVT

EAN

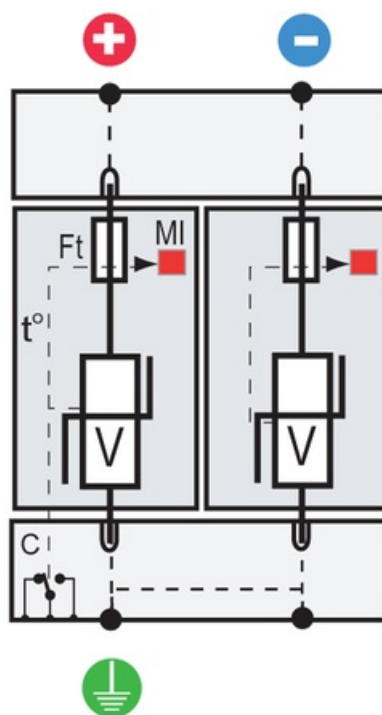
8430892215916

## Technical data

Standard

IEC 50539-11

## Connection



## Dimensions

