

## PST140-75D

SURGE PROTECTOR DEVICE 75VDC - 40KA TYPE II



---

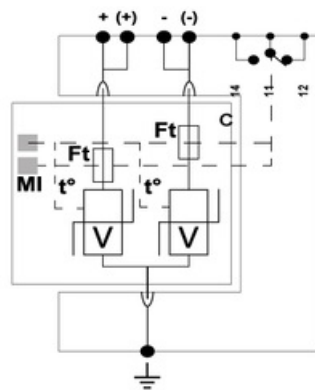
<b>Code</b>	002PST140-75D
<b>EAN</b>	8430892302500

---

## Combiner box technical data

Surge protector type	II
Max. continuous operating voltage (Ucpv)	100
Nominal discharge current (In)	20 kA
Maximum discharge current (Imax)	40 kA
Protection level at In (Up)	390 V
Standards	IEC 61643-11

## Connection



V: Red de varistores  
 Mi: Indicador de desconexión  
 Ft: Fusible térmico  
 t°: Sistema de desconexión térmica  
 C: Contacto para remoto

## Dimensions

