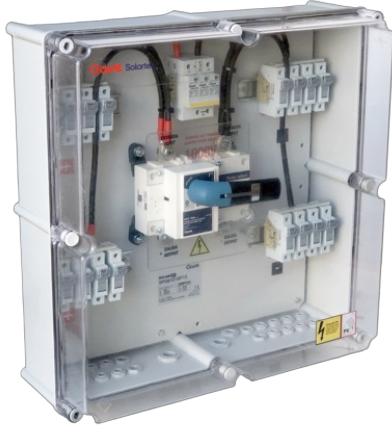


SP081016P15

PV COMBINER BOX 8 STRINGS - FUSE 15A - SWITCH DISCONNECTOR 160A + SURGE PROTECTOR



Code	029SP081016P15
EAN	8430892302630

Product description

PV combiner box for 8 strings + fuseholder and 15A gPV fuse + switch-disconnector 160A +surge protector class II maximum voltage 1000Vdc, to set up reliable and safe installations. Box in selfextinguishing glass reinforced polyester with cover in transparent polycarbonate. Enclosure bottom part equipped with individual cable glands for each string, for the load output and the earthing output. Protection screens on the switch live parts. Safety signs according to standard requirements. Dimensions 540x201x540mm.

Combiner box technical data

No. of strings per tracker	8
Fuse current	15 A
Maximum voltage (Uoc max)	1000 V
Surge protector code	1 x PST31PV
Surge protector type	II
Max. continuous operating voltage (Ucpv)	1060 VDC
Nominal discharge current (In)	20 kA
Maximum discharge current (Imax)	40 kA
Protection level at In (Up)	3,6 kV
Ingress protection IP	IP66 - IEC 60529
Impact protection IK	IK09 - IEC 62262
Standards	IEC EN 6143-1/2

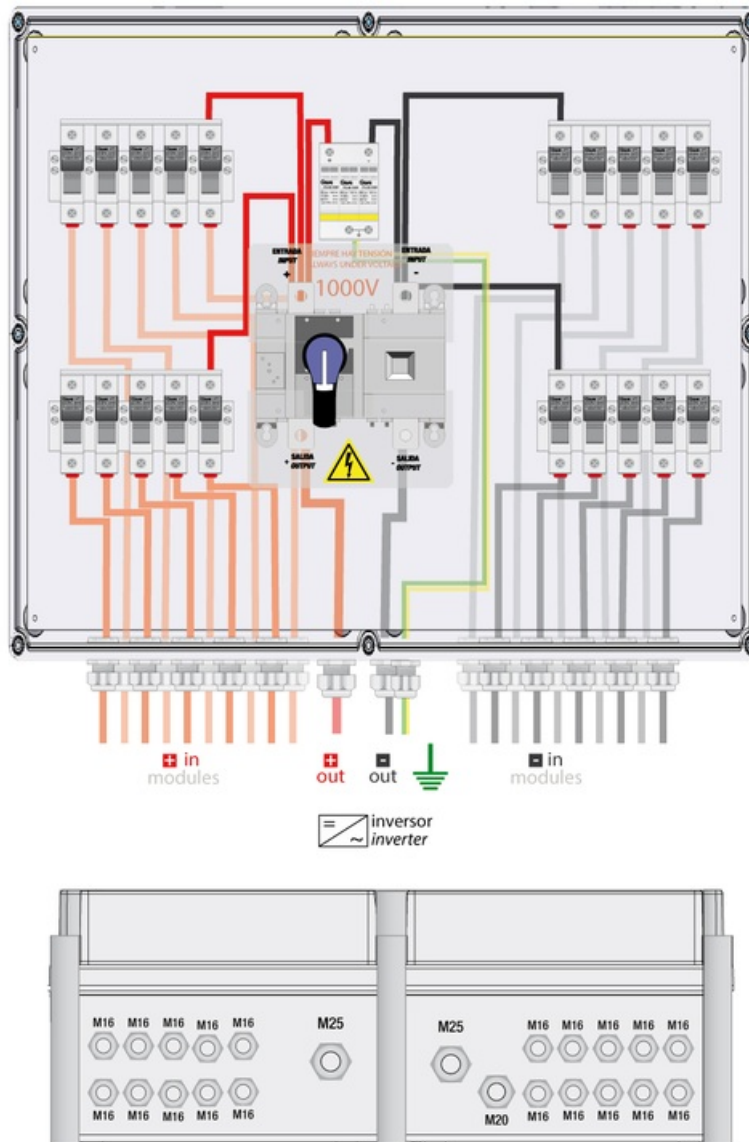
Dimensions

Product height	540 mm
Product width	540 mm
Product length	201 mm

Logistic data

Customs code	85371098
--------------	----------

Connection



Dimensions

