

HN2PS

PLUG-IN DOUBLE LEVEL PROTECTED CONTROL RELAY, NO BASE NO PROBES



Code

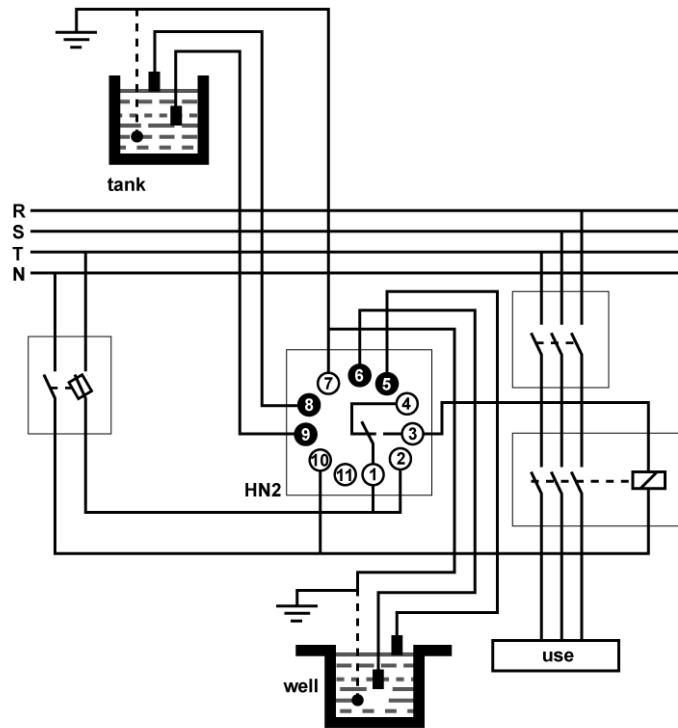
004HN2PS

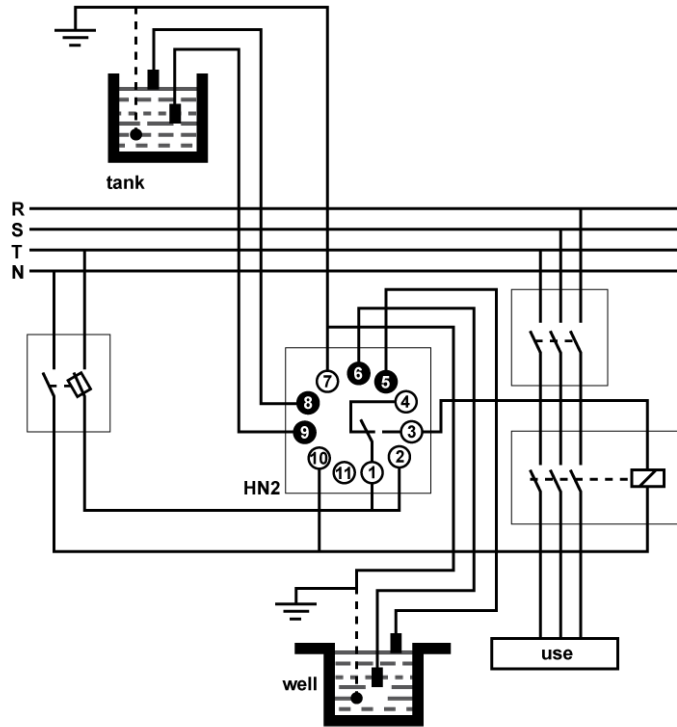
EAN

8430892107556

Diagrams

Electrical diagram





Operating diagram

Logistic data

Customs code	90268020
ETIM code	EC001447
Package units	1
Product gross weight (kg)	0.195
Package height (mm)	75
Package width (mm)	80
Package length (mm)	95

Technical data

Standard	IEC 60255-27
	IEC 6100-6-3

Dimensions

