

## HN2P

PLUG-IN DOUBLE LEVEL PROTECTED CONTROL RELAY



Code

004HN2P

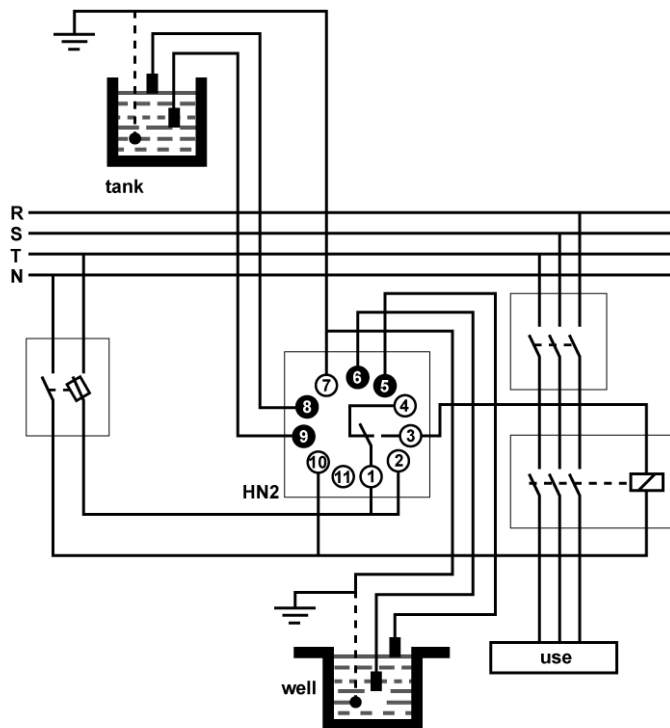
EAN

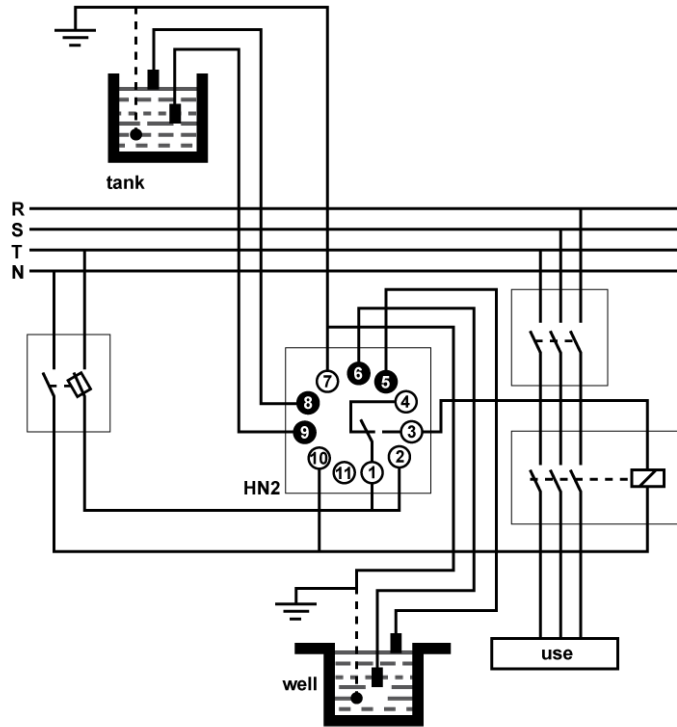
8430892107549

Diagrams

---

Electrical diagram





Operating diagram

### Logistic data

Customs code	90268020
ETIM code	EC001447
Package units	1
Product gross weight (kg)	0.425
Package height (mm)	75
Package width (mm)	80
Package length (mm)	95

### Technical data

Standard	IEC 60255-27
	IEC 6100-6-3

## Dimensions

---

