

HN2

PLUG-IN DOUBLE LEVEL CONTROL RELAY



Code

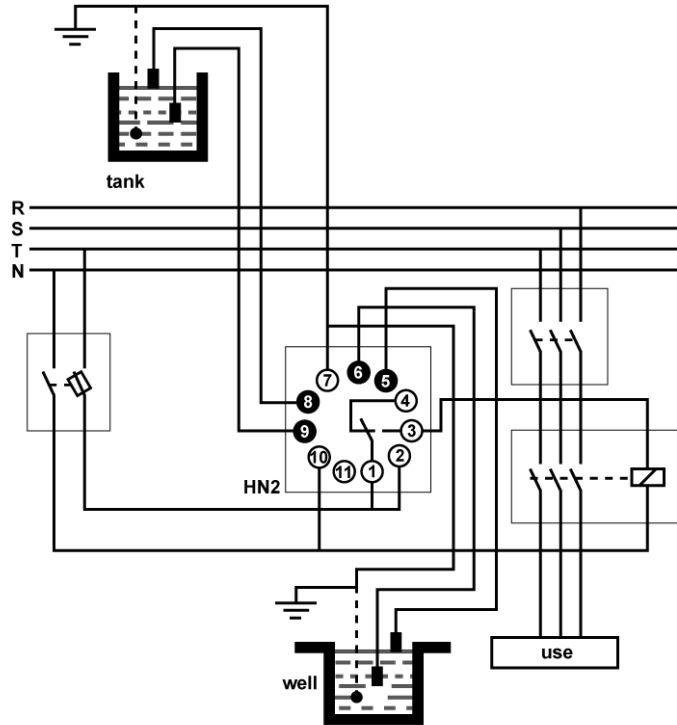
004HN2

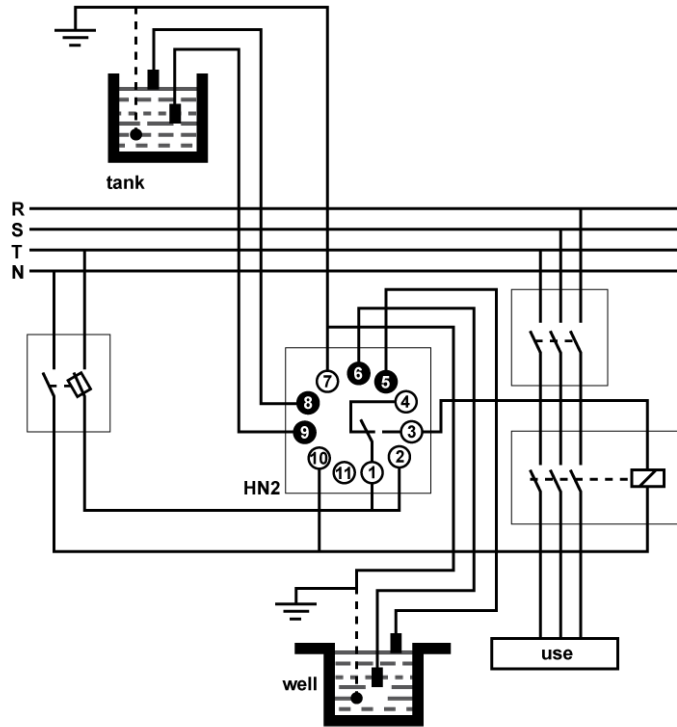
EAN

8430892107525

Diagrams

Electrical diagram





Operating diagram

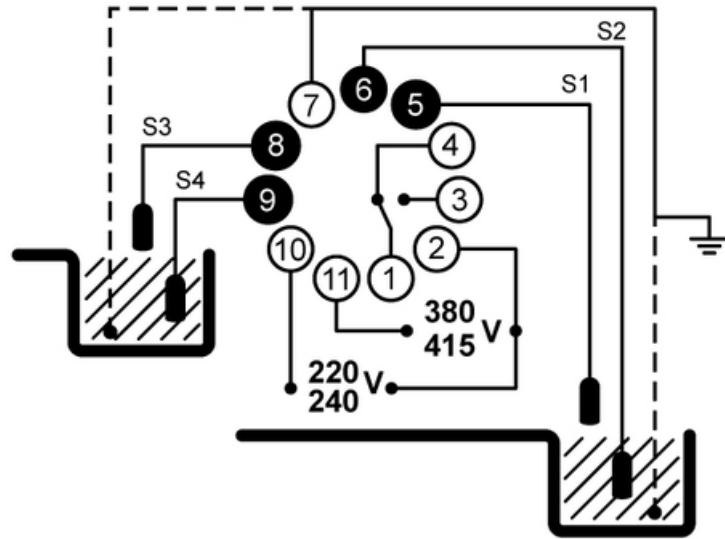
Logistic data

Customs code	90268020
ETIM code	EC001447
Package units	1
Product gross weight (kg)	0.42
Package height (mm)	75
Package width (mm)	80
Package length (mm)	95

Technical data

Standard	IEC 60255-27
	IEC 6100-6-3

Connection



Dimensions

