

AR02A



Code

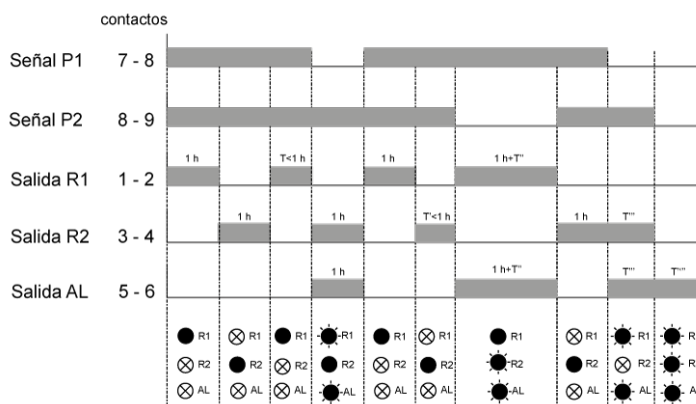
004AR02A

EAN

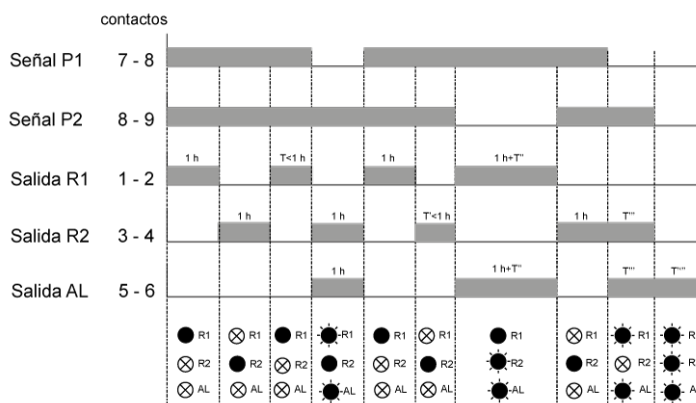
8430892302463

Diagrams

Electrical diagram



Operating diagram



Logistic data

ETIM code

EC000188

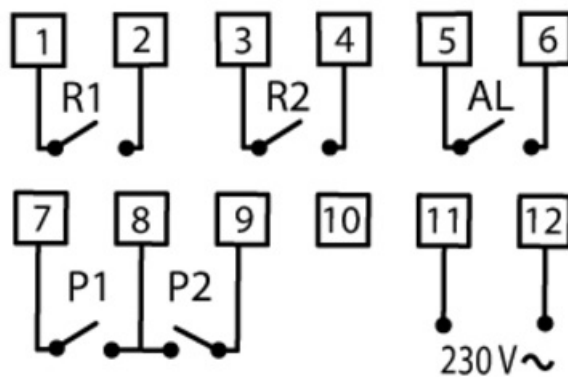
Technical data

Standard

IEC 60255-27

IEC 6100-6-3

Connection



AR02A

Dimensions

