

AR02-24AC

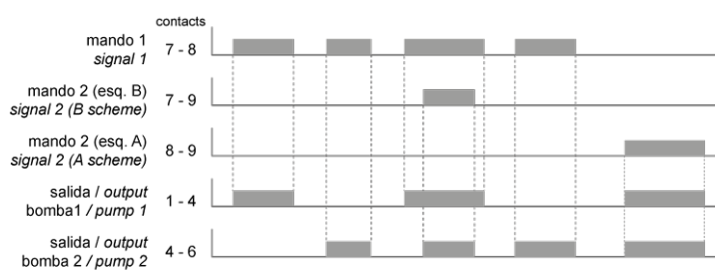
SIMULTANEOUS ALTERNATING RELAY 24V AC



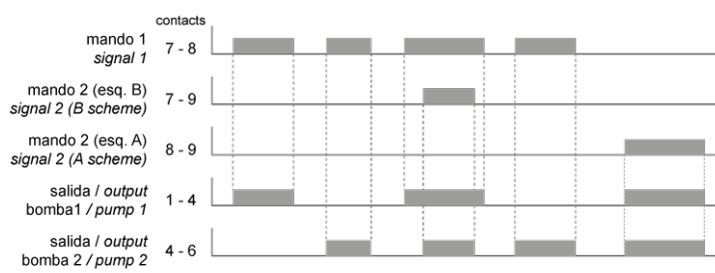
Code	004AR02-24AC
EAN	8430892136181

Diagrams

Electrical diagram



Operating diagram



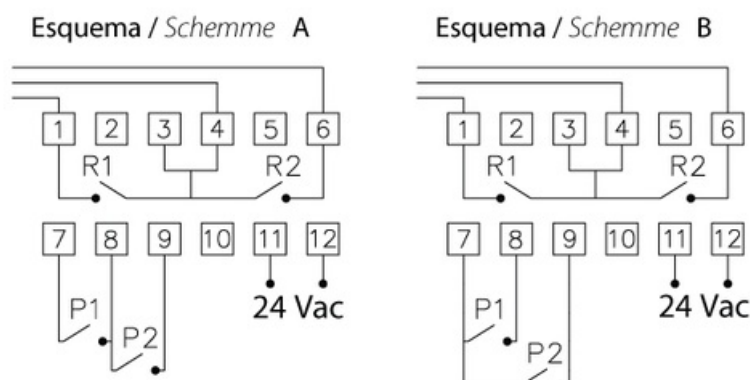
Logistic data

Customs code	85364190
ETIM code	EC000188
Package units	1
Product gross weight (kg)	0.17
Package height (mm)	40
Package width (mm)	65
Package length (mm)	100

Technical data

Standard	IEC 60255-27
	IEC 6100-6-3

Connection



Dimensions

