

ABA522100

SWITCH-DISCONNECTOR 3P.25A.D1 RED/YELLOW PADLOCKABLE HANDLE + AUXILIARY SIMULTANEOUS 12A



Code	009ABA522100
EAN	8430892302210

Logistic data

ETIM code	EC002611
Package units	1

Technical data

Poles	3
Operational rating (Ie)	25 A
Thermal rating (Ith)	25 A
Wire section (AWG)	6
Wire section rigid	6 - 25 mm ²
Wire section flexible	6 - 16 mm ²
Tightening torque	2 Nm
Connection screws	M5

Terminal



Max. fuse protection (gG/aM)	25/25 A (415 V)
	25/25 A (500 V)

Conditional shortcircuit current (Icc)	6 kA (415 V)
	6 kA (500 V)

Insulating voltage (V~)	690
Insulating voltage (V...)	600

Dummy AC-21A	7,5 kW (3x230 V)
	15 kW (3x415 V)
	18,5 kW (3x500 V)

Mixed load AC-22A	7,5 kW (3x230 V)
	15 kW (3x415 V)
	18,5 kW (3x500 V)

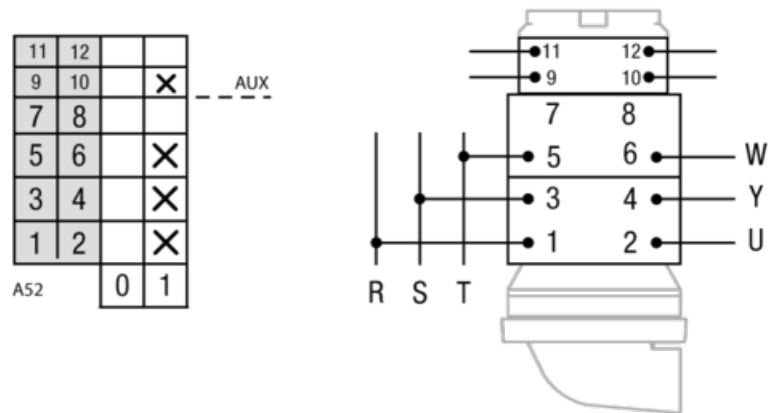
Motor load AC-23A	5,5 kW (3x230 V)
	7,5 kW (3x415 V)
	11 kW (3x500 V)

UL Electric characteristics	2 hp 1-fase (110-120 V)
	3 hp 1-fase (220-240 V)
	2 hp 3-fase (220-240 V)
	3 hp 3-fase (380-415 V)
	5 hp 3-fase (440-480 V)
	7 hp 3-fase (550-600 V)

Standard	IEC 60947-3
	UL 508

Handle type	Bloqueable candados
-------------	---------------------

Connection



Dimensions

