

## ACM25H

AC COMBINER BOX FOR HIBRID INVERTER SINGLE PHASE 25A MCBs



<b>Code</b>	029ACM25H
<b>EAN</b>	8430892317382

### Product description

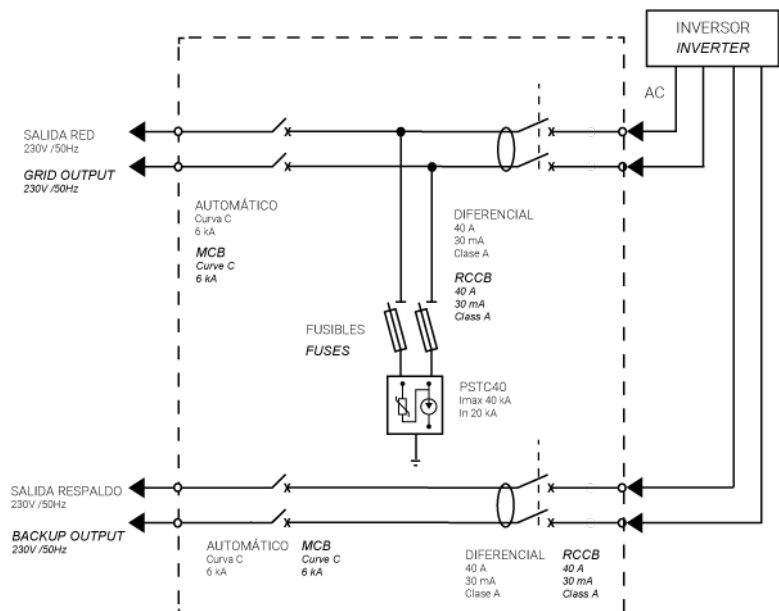
Modular combiner box for hybrid inverter with grid circuit and backup circuit. Each circuit is equipped with mcb and rccb protection. Modular circuit breakers two pole 25A C curve breaking capacity 6kA - EN 60898-1. Residual current circuit breakers two pole type A sensitivity 30mA for alternating current with pulsed direct current, protected against nuisance tripping 0,25kA, EN 61008-1. Overvoltage protection ClassII In 20kA I<sub>max</sub> 40kA U<sub>p</sub> 1,5kV EN 61643-11 with associated fuse protection. Double insulation Class II box in polycarbonate material for indoor and outdoor use with high impact resistance (IK08). Available space to add-on energy meter. Dimensions 286x418x148

## Combiner box technical data

MCB - Circuit breaker	25 A
Curve	C
Breaking capacity EN 60898-1	6 kA
RCCB type	A - 30mA
MCB backup circuit	20A - C - 6kA
RCCD backup circuit	A 30mA
Inverter AC output	1P+N
Diferential type	30mA
Surge protector code	PSTC40
Surge protector type	II
Ingress protection IP	IP65 - IEC 60529
Impact protection IK	IK08 - IEC 62262

## Diagrams

Electrical diagram



## Dimensions

Product height	290 mm
Product width	420 mm
Product length	160 mm
Product weight (kg)	3.28

## Logistic data

Customs code	85371098
--------------	----------

## Connection

---

